



### Automatic Smart Power Factor Management

- ⊕ Electricity bill penalty minimised - maintains power factor > 97%.
- ⊕ Reliable hardware of reputed makes
- ⊕ Application engineering meeting international standards.
- ⊕ Remote Monitoring compatible
- ⊕ SCADA Compatible
- ⊕ Data Monitoring & Recording Feasible (storage up to 1 year Data of all the power-factor & electrical parameters in the controller SD Card).
- ⊕ Software Upgrade Feasible
- ⊕ Capacitor Life Assessment Possible
- ⊕ Scalable
- ⊕ Alarms

## Automatic Power Factor Correction



**Component Makes:** Reputed Makes such as Capacitor *EPCOS*, Enclosure Panel *Rittal*, Controller *Mitsubishi*, Switchgear *Schneider/Mitsubishi*, Energy Meter *Schneider* or Equivalent  
**Product Warranty:** Standard 12 Months (Extendable up to 2 years)

### Data Monitoring Feature (Optional)

- SYSTEM VOLTAGE (V AC)
- REACTIVE POWER (kvar)
- ACTIVE POWER (kW)
- FREQUENCY
- ENERGY

Energy Monitoring			
Single phase parameter			
Parameter	R-Phase	Y-Phase	B-Phase
Voltage	208.71	214.35	210.54
Current	42.83	30.37	16.32
Power Factor	0.9638	0.9448	0.9497

Double phase parameter			
Parameter	R-Y-Phase	Y-B-Phase	B-R-Phase
Voltage	368.50	362.27	358.95
Current(Av)	29.8		Frequency
Power Factor(Av)	0.9550		Energy(kWh)
			7185.3

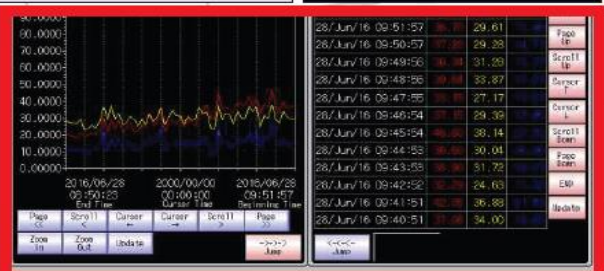
- THD-V, THD-I\*
- INDIVIDUAL HARMONICS UP TO 15 th
- APPARENT POWER (kVA)
- APPARENT CURRENT (A)
- REAL-TIME COS  $\phi$
- TARGET COS  $\phi$

**NUMBER OF CONTACTOR SWITCHING OPERATION\***

**MAXIMUM VOLTAGE V (Vmax)**

**MAXIMUM REACTIVE POWER Q (kvar)**

**MAXIMUM VALUE OF HARMONIC**




**kvar VALUE TO TARGET COS  $\phi$**

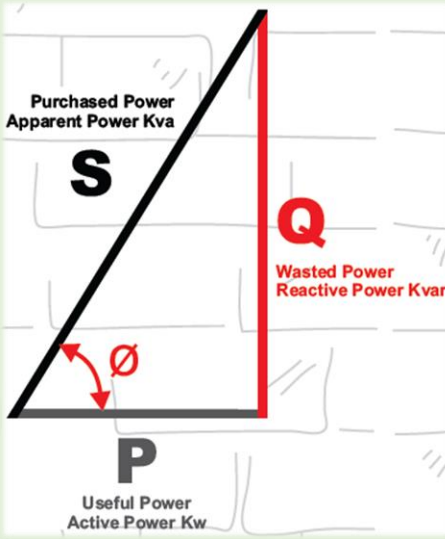
**MAXIMUM ACTIVE POWER, P (kW)**

**MAXIMUM APPARENT POWER, S (kVA)**

**OPERATION TIME OF ALL CAPACITORS\***

**RECALL RECORDED VALUES**

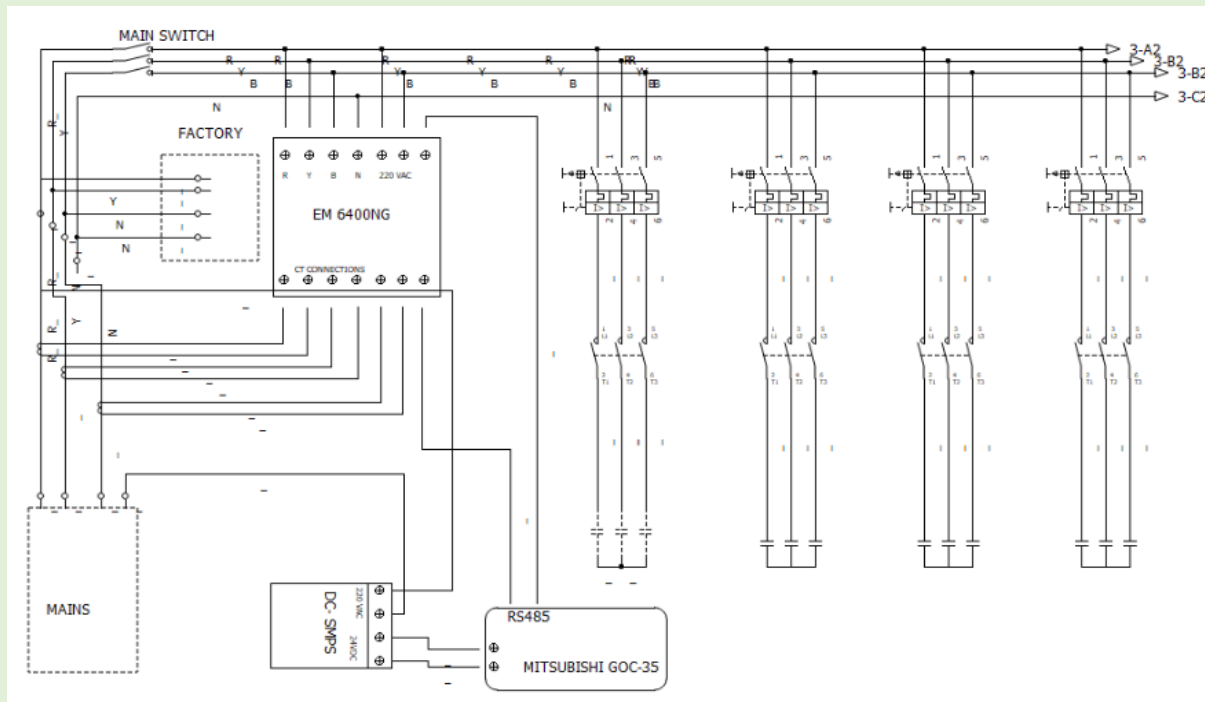




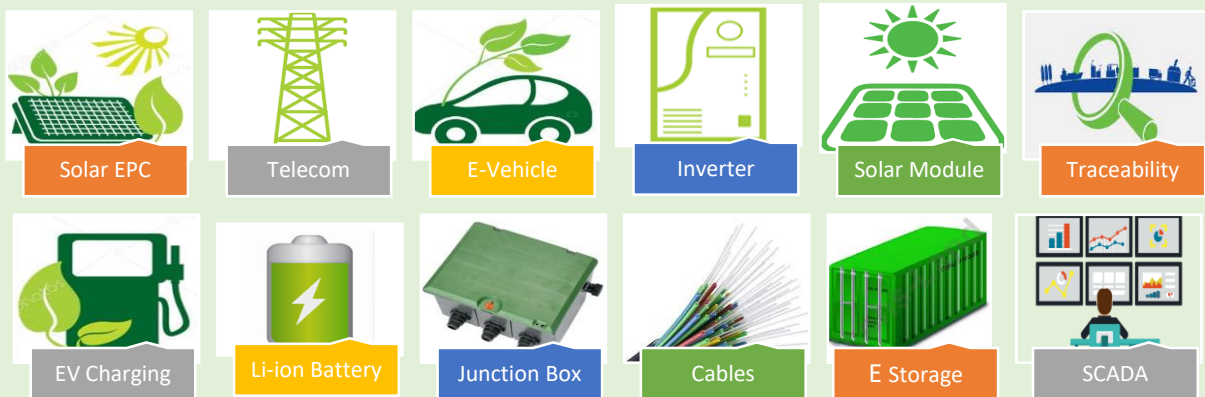
**AUTOMATIC REACTIVE POWER COMPENSATION**

- PC CONNECTION
- 3CT SENSING FOR UNBALANCED LOAD
- 6 STEPS / 12 STEPS SWITCHING
- AUTO / MANUAL OPERATION
- 4 ALARM RELAY OUTPUTS

## Typical Schematic Diagram



## Our Other Business Verticals



For business enquiries, please contact:

**Oorja On Move Infra Pvt Ltd**

Unit no 1067, Tower B1, Spaze IT park, Sohna Road, Gurgaon Haryana (122002)

T: +91 124 6500901, [pa@oom.co.in](mailto:pa@oom.co.in), [marketing2@oom.co.in](mailto:marketing2@oom.co.in), [www.oom.co.in](http://www.oom.co.in)